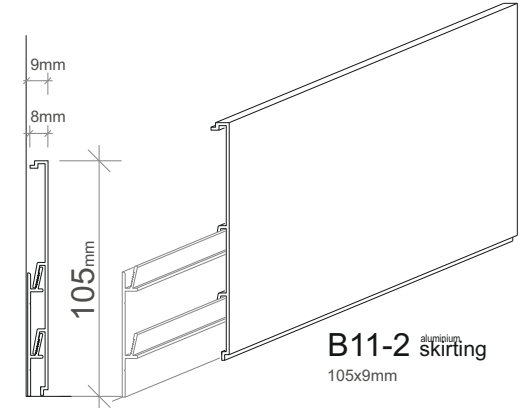
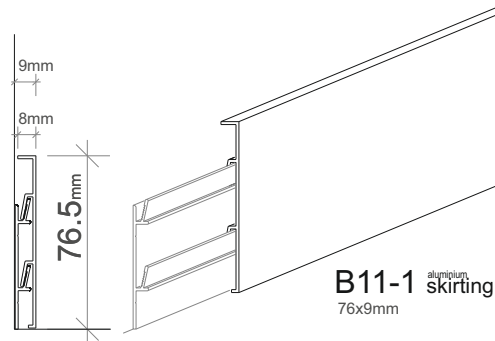
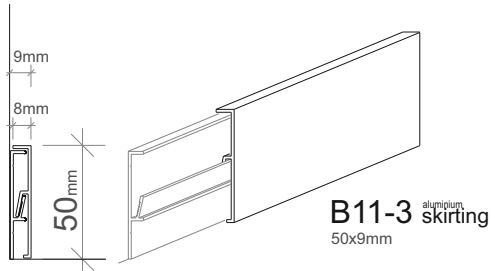


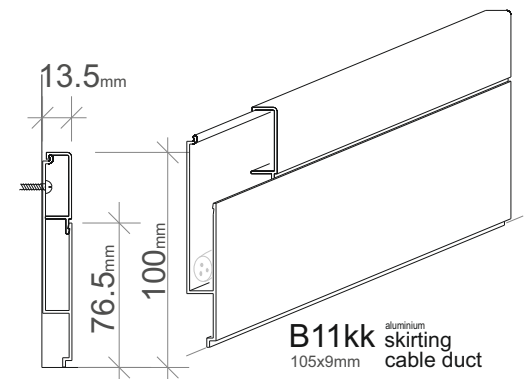
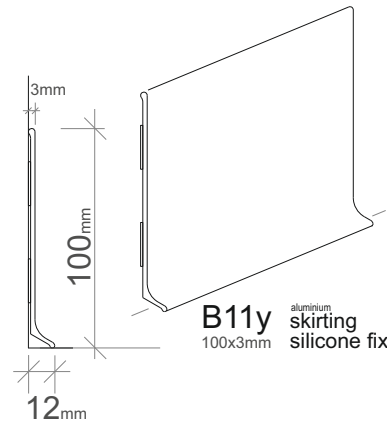
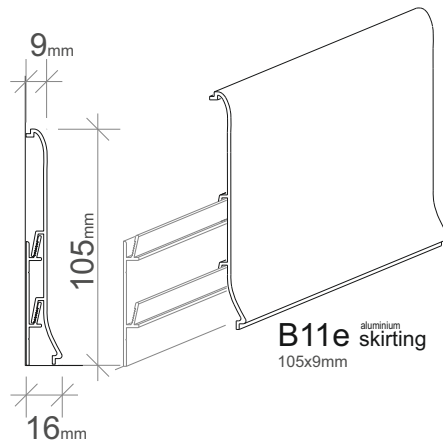
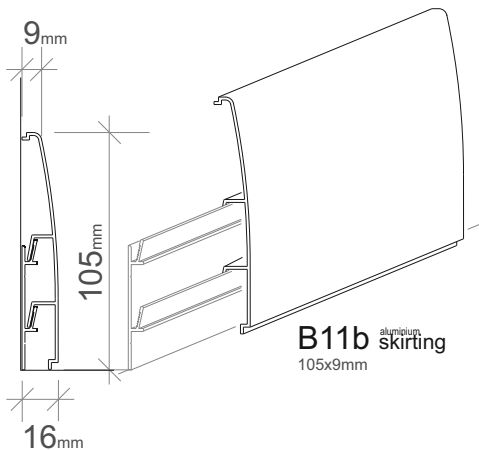
ALUMINIUM SKIRTINGS



technical details & descriptions

Applications of the interlocking skirtings;

Interlocking skirtings are consisting of two parts, inside wall mount and the skirting to be settled on it. Inside wall mount part is natural press aluminium (no paint) and to be cut into 330mm in lengths, and to be fixed on the walls by plug/screw in 1000mm span. Standard 3 meter stock lengths are available in the warehouse and the colour is natural matte aluminium anodised. After fixing the skirtings, "continous gaps" in between both wall and the floor will be helpfull for to hide the construction faults by giving a shade as an architectural detail. This detail also provides a strength to the skirting and also prevents corrugation...



0216 3255067 faks3396930 info@izofleks.com

Izofleks inaat ticaret ltd sti uzuncaayir caddesi, yapı is merkez,i no 43 D blok br 28, 34722 hasanpasa, istanbul.